



QUICK CONNECTOR GMT C10

“Quick Connector between Rotator and Grapple”

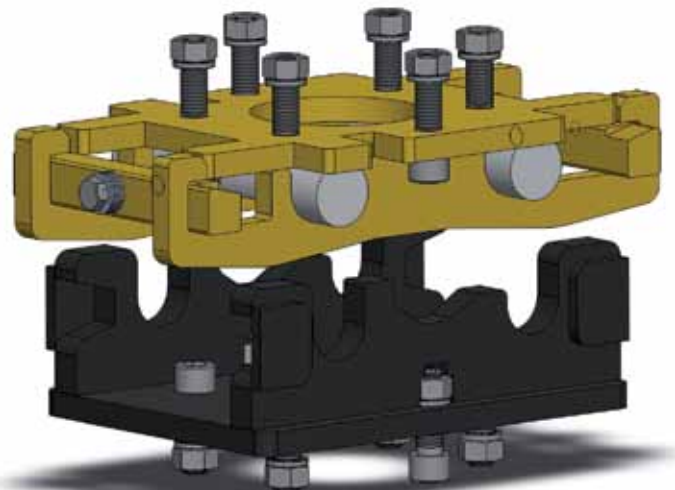


The GMT C10 can be mounted directly between the rotator and the grapple or attachment, without technical modifications.

For optimal use of the machine, for each job the right tools.

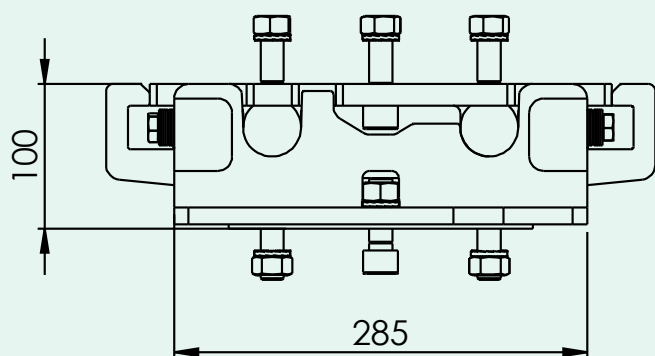
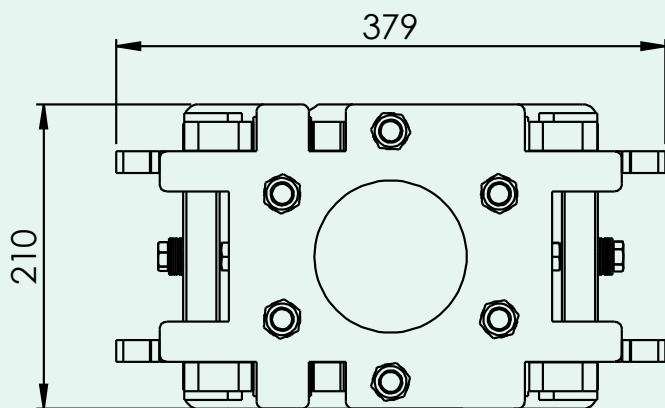
Benefits of the Quick Connector GMT C10:

- No modifications are needed to the crane
- Changing to an other grapple in a few minutes
- A solid and rattle-proof connection
- No impediments for working with the grapple
- Only two hydraulic quick connectors needed to be changed
- Low weight





QUICK CONNECTOR GMT C10



Technical details

Weight	24 kg
Max. Load	10.000 kg
Height	10 cm



Gierkink Machine Techniek BV

Kapelweg 44

7134 RJ Vragender

the Netherlands

Tel +31 544 - 370315

Fax +31 544 - 370316

www.gierkinkmt.nl

info@gierkinkmt.nl